

WORKING RANGE DIAGRAM

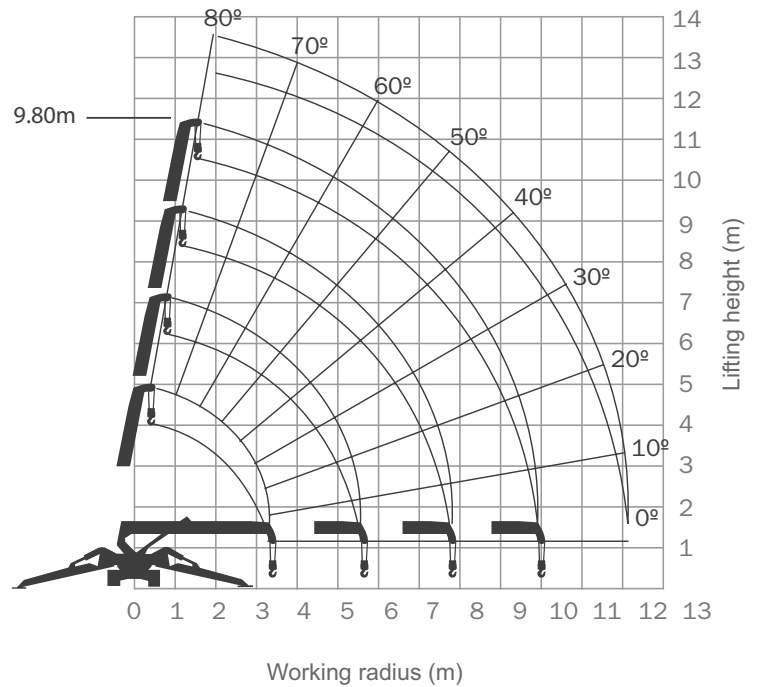
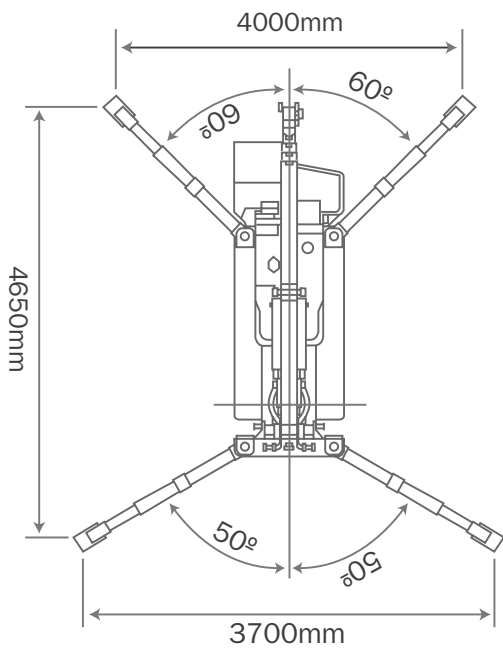


Diagram shows outriggers at maximum position

Operating Radius (m)	Total Rated Loads – Main Boom Outriggers fully extended (360°)		
	5.40m	7.60m	9.80m
2.0	2900	2300	
2.5	2900	2300	
3.0	2300	2100	1000
3.5	1950	1700	1000
4.0	1650	1400	900
5.0	1080	1050	800
6.0		780	700
7.0		590	590
8.0			480
9.0			390
10			290

SWL is in Kilograms

