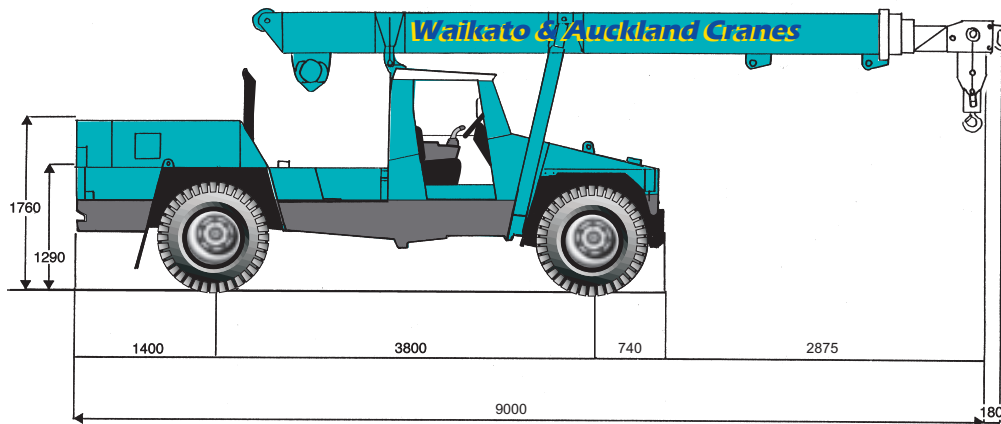
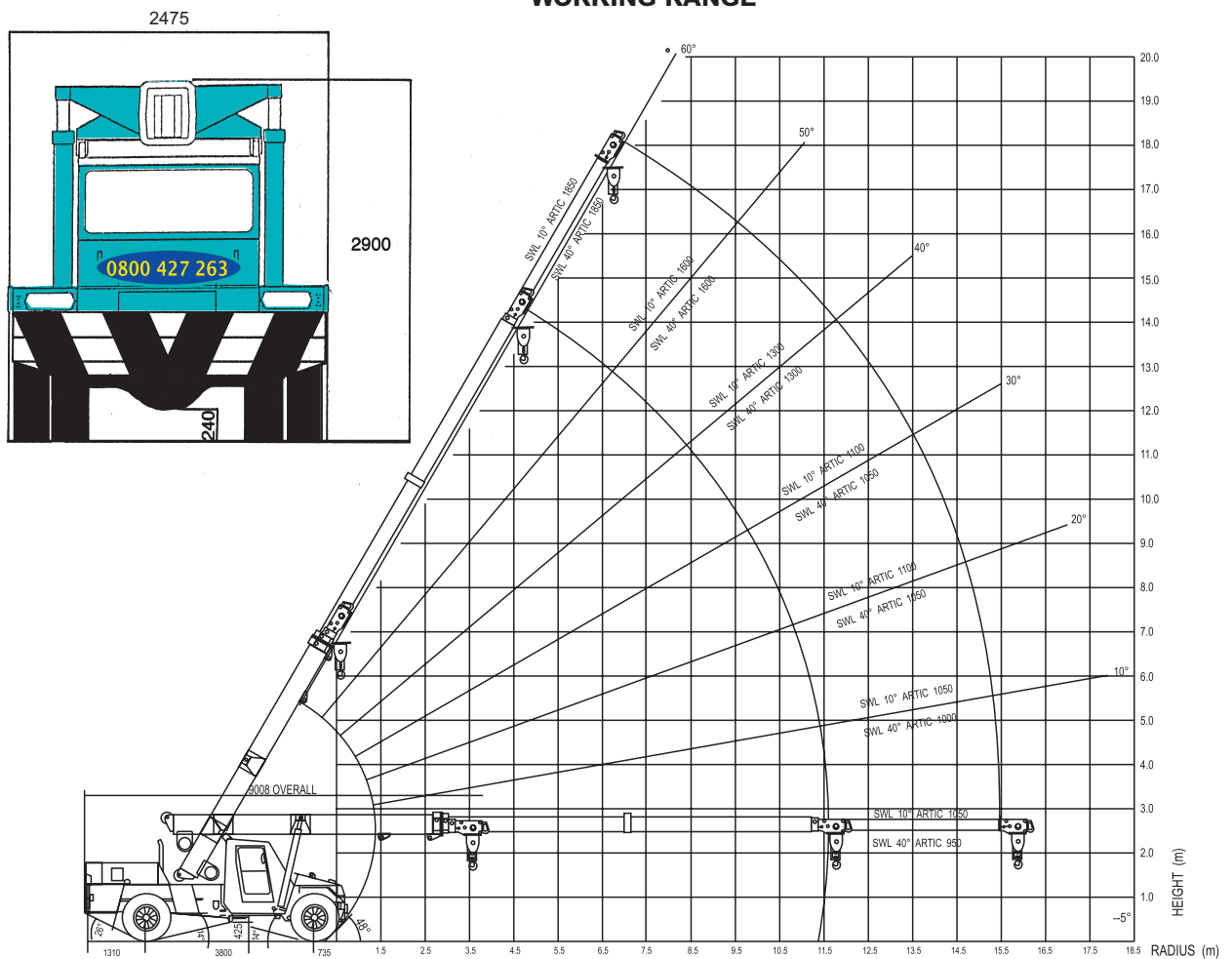
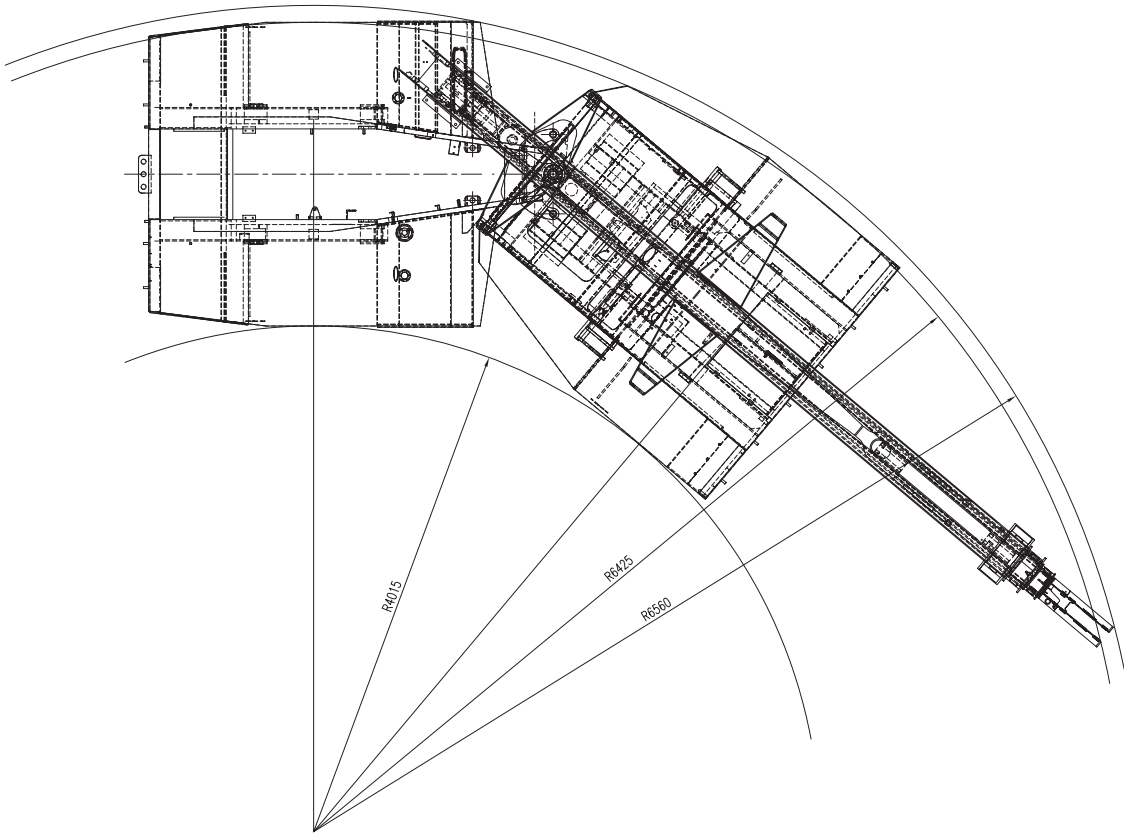


## GENERAL DIMENSIONS



## WORKING RANGE





| BOOM ANGLE | BOOM LENGTH IN METRES - MANUAL EXTENSION RETRACTED. |      |      |      |      |      |      |      |      |       |       |       |       |       |       |       |       |       | MANUAL EXTENSION EXTENDED |       |       |       |       |
|------------|---|------|------|------|------|------|------|------|------|-------|-------|-------|-------|-------|-------|-------|-------|-------|---------------------------|-------|-------|-------|-------|
|            | 5.65  | 6.00 | 6.50 | 7.00 | 7.50 | 8.00 | 8.50 | 9.00 | 9.50 | 10.00 | 10.50 | 11.00 | 11.50 | 12.00 | 12.50 | 13.00 | 13.50 | 13.85 | 16.85                     | 17.90 |       |       |       |
| 60°        |   |      |      | 7500 | 7500 | 7500 | 7500 | 7500 | 7500 | 7500  | 6900  | 5750  | 5200  | 4750  | 4400  | 4050  | 3800  | 3600  | 2250                      | 1850  |       |       |       |
|            |   |      |      | 7500 | 7500 | 7500 | 7500 | 7500 | 7500 | 7400  | 6750  | 5750  | 5200  | 4750  | 4400  | 4050  | 3800  | 3600  | 2250                      | 1850  |       |       |       |
| 50°        |   |      |      | 1.28 | 1.53 | 1.78 | 2.03 | 2.28 | 2.53 | 2.78  | 3.03  | 3.28  | 3.53  | 3.78  | 4.03  | 4.28  | 4.53  | 4.70  | 6.20                      | 6.73  |       |       |       |
|            | 7500  | 7500 | 7500 | 7500 | 7500 | 7500 | 6950 | 6250 | 5700 | 5200  | 4750  | 4400  | 4050  | 3700  | 3400  | 3150  | 2950  | 2800  | 1900                      | 1600  |       |       |       |
|            | 7500  | 7500 | 7500 | 7500 | 7500 | 7000 | 6250 | 5600 | 5050 | 4650  | 4250  | 3900  | 3600  | 3350  | 3150  | 2950  | 2750  | 2650  | 1900                      | 1600  |       |       |       |
| 40°        |   |      |      | 1.43 | 1.65 | 1.97 | 2.30 | 2.62 | 2.94 | 3.26  | 3.58  | 3.90  | 4.22  | 4.54  | 4.87  | 5.19  | 5.51  | 5.83  | 6.15                      | 6.47  | 6.70  | 8.63  | 9.30  |
|            | 7500  | 7500 | 7500 | 7150 | 6300 | 5650 | 5050 | 4600 | 4200 | 3850  | 3550  | 3250  | 3050  | 2850  | 2650  | 2450  | 2300  | 2200  | 1600                      | 1300  |       |       |       |
|            | 7500  | 7500 | 7400 | 6400 | 5650 | 5000 | 4500 | 4100 | 3700 | 3400  | 3150  | 2900  | 2700  | 2500  | 2300  | 2150  | 2050  | 1950  | 1500                      | 1300  |       |       |       |
| 30°        |   |      |      | 2.15 | 2.42 | 2.80 | 3.18 | 3.57 | 3.95 | 4.33  | 4.72  | 5.10  | 5.48  | 5.86  | 6.25  | 6.63  | 7.01  | 7.40  | 7.78                      | 8.16  | 8.43  | 10.73 | 11.53 |
|            | 7500  | 7500 | 6500 | 5700 | 5050 | 4550 | 4100 | 3700 | 3400 | 3100  | 2850  | 2650  | 2450  | 2300  | 2150  | 2000  | 1900  | 1800  | 1350                      | 1150  |       |       |       |
|            | 7500  | 6750 | 5800 | 5100 | 4500 | 4050 | 3650 | 3300 | 3000 | 2750  | 2550  | 2350  | 2150  | 2000  | 1850  | 1750  | 1650  | 1550  | 1200                      | 1100  |       |       |       |
| 20°        |   |      |      | 2.74 | 3.05 | 3.48 | 3.91 | 4.35 | 4.78 | 5.21  | 5.64  | 6.08  | 6.51  | 6.94  | 7.38  | 7.81  | 8.24  | 8.68  | 9.11                      | 9.54  | 9.84  | 12.44 | 13.35 |
|            | 7150  | 6450 | 5600 | 4900 | 4350 | 3900 | 3550 | 3250 | 2950 | 2700  | 2500  | 2300  | 2150  | 2000  | 1850  | 1750  | 1600  | 1550  | 1200                      | 1100  |       |       |       |
|            | 6450  | 5750 | 5000 | 4400 | 3900 | 3500 | 3150 | 2850 | 2600 | 2400  | 2200  | 2000  | 1850  | 1750  | 1600  | 1500  | 1400  | 1350  | 1000                      | 950   |       |       |       |
| 10°        |   |      |      | 3.19 | 3.52 | 3.99 | 4.46 | 4.93 | 5.40 | 5.87  | 6.34  | 6.81  | 7.28  | 7.75  | 8.22  | 8.69  | 9.16  | 9.63  | 10.10                     | 10.57 | 10.90 | 13.72 | 14.70 |
|            | 6500  | 5850 | 5100 | 4500 | 4000 | 3600 | 3250 | 2950 | 2700 | 2500  | 2300  | 2100  | 1950  | 1850  | 1700  | 1600  | 1500  | 1400  | 1100                      | 1000  |       |       |       |
|            | 5850  | 5250 | 4550 | 4000 | 3550 | 3200 | 2900 | 2600 | 2400 | 2200  | 2000  | 1850  | 1700  | 1600  | 1450  | 1350  | 1300  | 1200  | 900                       | 850   |       |       |       |
| 0°         |   |      |      | 3.48 | 3.83 | 4.32 | 4.81 | 5.30 | 5.80 | 6.29  | 6.78  | 7.27  | 7.77  | 8.26  | 8.75  | 9.24  | 9.74  | 10.23 | 10.72                     | 11.21 | 11.56 | 14.51 | 15.55 |
|            | 6250  | 5650 | 4900 | 4350 | 3850 | 3500 | 3150 | 2850 | 2650 | 2400  | 2200  | 2050  | 1900  | 1750  | 1650  | 1550  | 1450  | 1350  | 1050                      | 1000  |       |       |       |
|            | 5600  | 5050 | 4400 | 3850 | 3450 | 3100 | 2800 | 2550 | 2300 | 2100  | 1950  | 1800  | 1650  | 1550  | 1400  | 1300  | 1250  | 1150  | 900                       | 800   |       |       |       |
|            | 3.60  | 3.95 | 4.45 | 4.95 | 5.45 | 5.95 | 6.45 | 6.95 | 7.45 | 7.95  | 8.45  | 8.95  | 9.45  | 9.95  | 10.45 | 10.95 | 11.45 | 11.80 | 14.80                     | 15.85 |       |       |       |

S.W.L. IN KILOGRAMS FOR SLEW ANGLES OF 10° OR LESS EITHER SIDE OF STRAIGHT AHEAD (INDICATED BY GREEN LED ON DASH)

S.W.L. IN KILOGRAMS FOR SLEW ANGLES OF GREATER THAN 10° EITHER SIDE OF STRAIGHT AHEAD (INDICATED BY YELLOW LED ON DASH)

RADIUS IN METRES

